

Transit City Pricelist



WAEGB-TTQ-2027-TransitCityVanGBR202700
WAEGB-TTQ-2027-TransitCityChassisCabGBR202700
Effective: 29/04/2026

Transit City Pricelist



Van SWB Low Roof



WAEGB-TTQ-2027-TransitCityVanGBR202700
WAEGB-TTQ-2027-TransitCityChassisCabGBR202700
Effective: 29/04/2026

Transit City Pricelist



Van LWB High Roof



WAEGB-TTQ-2027-TransitCityVanGBR202700
WAEGB-TTQ-2027-TransitCityChassisCabGBR202700
Effective: 29/04/2026

Transit City Pricelist



Chassis Cab LWB



WAEGB-TTQ-2027-TransitCityVanGBR202700
WAEGB-TTQ-2027-TransitCityChassisCabGBR202700
Effective: 29/04/2026

Transit City Pricelist



Van Standard Content - Trend

EXTERIOR FEATURES

Kerbside Side Load Door	A4LAB
Hinged Rear Cargo Door (180°)	A6KAN
Partial Body Colour Front Bumper	CLFBW
Black Plastic Rear Bumper	CLMAJ
Black Exterior Door Handle	CAAAB
Manual Fold, Electrically Adjustable, Non-Heated Mirrors	BSHA6
Auto Headlamps - Follow Me Home	JB1AB
Halogen Headlamps	JBBAB
LED Daytime Running Lamps	JBCAB
Halogen Taillamps	JDAAT
High Mounted Stop Lamp	JDDAB
Automatic Headlamp On/Off	JEDAD
Intermittent Variable Windshield Wiper	CFFAB
Glass Front Window	B2MAB
Low Roof Line (SWB)	A1FAB
High Roof Line (MWB)	A1FAE

RESTRAINTS & SAFETY FEATURES

Breakdown Warning Sign with Warning Triangle	AHHAB
Seat Belt Warning Buzzer (Driver & Passenger)	BY5AG
Emergency Call Button	HKKAB
Driver Airbag	CPGAB
Passenger Airbag	CPHAB
Passenger Airbag Deactivation	CPQAB
Alcohol Interlock Interface	A5HAD
Power Door Locks	CBAAB
Central Power Lock Group	CBBAD
Smart Key Fob	CBPAK
Automatic Delayed Door Locking	CBUAB
Perimeter Alarm	TBC
Double Locking (Thatcham)	HNABD
Safety Vest	ADMAD

WHEELS & TYRES

Single Rear Wheels	D2AAB
Steel Wheels 16" with Wheel Cover	D2BDC
215/65 R16C Black Side Wall Tyre	D3JRC
Tire Repair Kit	AHTAB

INTERIOR FEATURES

Manual Air Conditioner	AC--B
PTC Heater	G2AAF
7" Cluster	HCAAX
12.3" Multi Function Display	HJGBB
Load Compartment Light	JCMAB
Driver side sun visor - without mirror & lights	BCAAB
Passenger side sun visor - without mirror & lights	BCBAB
Interior Cargo Trim - Half Height	BAUAB
Black Inside Door Handles	BCFAC
2-way Front Head restraints	BVRAC
Driver Heated Seat	BY1AB
Manual 6-way Driver Seat Adjuster	BYPAE
Dual Passenger Seat	FS--G
Fixed Steering Column	GRAAB
Base Steering Wheel - PU	GTAAB
Power Front Windows One Touch Down	B2CAE
2 Radio Speaker	IDBAB
USB Interface - 2 Units	A2EAC
In-Vehicle Infotainment (Incl. Apple CarPlay & Android Au	IEVAU
Driver Impairment Monitor - Camera	HLFAC
Load Space Floor Cover - PVC	BBFAC

DRIVER ASSISTANCE

Front Parking Aid - 4 ultrasonic sensors	CL7AB
Rear Parking Aid - 4 ultrasonic sensors	CLUAB
Fixed Rear View Camera	J3KAB
Speed Sign Recognition	HLQAB
Adaptive Speed Control & Cruise Control	GTDBC
Selectable Drive Modes - Normal, Eco & Slippery	DMSAB

BATTERY FEATURES

Traction Battery #3 (55.59 KWH)	HTHAF
Battery Heater	HTEAB
EV Charge Port - CCS2	JZCAN

MECHANICAL FEATURES

Electric Parking Brake	FAJAC
Automatic Emergency Brake	FCBAF
Electro-Hydraulic Braking Assist	FCAAJ

Transit City Pricelist



Chassis Cab Standard Content - Trend

EXTERIOR FEATURES

Partial Body Colour Front Bumper	CLFBW
Black Exterior Door Handle	CAAAB
Manual Fold, Electrically Adjustable, Non-Heated Mirrors	BSHA6
Auto Headlamps - Follow Me Home	JB1AB
Halogen Headlamps	JBBAB
LED Daytime Running Lamps	JBCAB
Halogen Taillamps	JDAAT
Automatic Headlamp On/Off	JEDAD
Intermittent Variable Windshield Wiper	CFFAB
Glass Front Window	B2MAB

MECHANICAL FEATURES

Electric Parking Brake	FAJAC
Automatic Emergency Brake	FCBAF
Electro-Hydraulic Braking Assist	FCAAD

WHEELS & TYRES

Single Rear Wheels	D2AAB
Steel Wheels 16" with Wheel Cover	D2BDC
215/65 R16C Black Side Wall Tyre	D3JRC
Tire Repair Kit	AHTAB

DRIVER ASSISTANCE

Front Parking Aid - 4 ultrasonic sensors	CL7AB
Rear Parking Aid - 4 ultrasonic sensors	CLUAB
Fixed Rear View Camera	J3KAB
Speed Sign Recognition	HLQAB
Adaptive Speed Control & Cruise Control	GTDBC
Selectable Drive Modes - Normal, Eco & Slippery	DMSAB

BATTERY FEATURES

Traction Battery #3 (55.59 KWH)	HTHAF
Battery Heater	HTEAB
EV Charge Port - CCS2	JZCAN

INTERIOR FEATURES

Manual Air Conditioner	AC--B
PTC Heater	G2AAF
7" Cluster	HCAAX
12.3" Multi Function Display	HJGBB
Non-Dipping Inside Mirror	BSBAD
Driver side sun visor - without mirror & lights	BCAAB
Passenger side sun visor - without mirror & lights	BCBAB
Black Inside Door Handles	BCFAC
2-way Front Head restraints	BVRAC
Driver Heated Seat	BY1AB
Manual 6-way Driver Seat Adjuster	BYPAE
Dual Passenger Seat	FS--G
Fixed Steering Column	GRAAB
Base Steering Wheel - PU	GTAAB
Power Front Windows One Touch Down	B2CAE
2 Radio Speaker	IDBAB
USB Interface - 2 Units	AZEAC
In-Vehicle Infotainment (Incl. Apple CarPlay & Android Auto)	IEVAU
Driver Impairment Monitor - Camera	HLFAC

RESTRAINTS & SAFETY FEATURES

Breakdown Warning Sign with Warning Triangle	AHHAB
Seat Belt Warning Buzzer (Driver & Passenger)	BY5AG
Emergency Call Button	HKKAB
Driver Airbag	CPGAB
Passenger Airbag	CPHAB
Passenger Airbag Deactivation	CPQAB
Alcohol Interlock Interface	A5HAD
Power Door Locks	CBAAB
Smart Key Fob	CBPAK
Automatic Delayed Door Locking	CBUAB
Perimeter Alarm	TBC
Double Locking (Thatcham)	HNABD
Safety Vest	ADMAD

Transit City Pricelist



Transit City Pricing


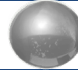


Bodystyle	Series	GVM	Length	Height	Engine	Transmission	Drive	NRP (£) (less VAT)	RRP (£) (Incl VAT)	OTR (£) (less VAT)	OTR (£) (Incl VAT)
Van	Trend	300S	SWB	H1	56kWh 110kW / 150PS	1-speed automatic	FWD	29,000	34,800	29,436	35,240
Van	Trend	330M	LWB	H2	56kWh 110kW / 150PS	1-speed automatic	FWD	31,500	37,800	31,936	38,240
Chassis Cab	Trend	330M	LWB	H1	56kWh 110kW / 150PS	1-speed automatic	FWD	31,500	37,800	31,936	38,240



Transit City Pricelist






Van - Colour & Trim

			Trend	NRP (£)	GRP (£)
Solid Body Colours					
Frozen White	PN3GZ		O	0	0
Metallic Body Colours					
Ingot Silver Metallic	PN4AG		O	650	780
Blue Panther Metallic	PN4HE		O	650	780
Panther Black Metallic	PNJAB		O	650	780
SVO Body Colours					
Broom Yellow SVO	PSTBL		O	1,000	1,200
Trim					
C - Cloth Trim #3 - Domino	3JTTV		S	0	0

Transit City Pricelist



Chassis Cab - Colour & Trim

			Trend	NRP (£)	GRP (£)
Solid Body Colours					
Frozen White	PN3GZ		O	0	0
Metallic Body Colours					
Blue Panther Metallic	PN4HE		O	650	780
Panther Black Metallic	PNJAB		O	650	780
Trim					
C - Cloth Trim #3 - Domino	3JTTV		S	0	0

Transit City Pricelist



Technical Data

	Weights and Loads			Axle Plates		
	Kerb (kg)	GVM (kg)	Payload (kg)	MIRO (kg)	FGAWR (kg)	RGAWR (kg)
Van SWB Low Roof 300S 56kWh 110kW / 150PS 1-speed automatic FWD	1,915	3,000	1,085	1,990	1,330	1,780
Van LWB High Roof 330M 56kWh 110kW / 150PS 1-speed automatic FWD	1,995	3,270	1,275	2,070	1,440	1,920
Chassis Cab LWB 330M 56kWh 110kW / 150PS 1-speed automatic FWD	1,670	3,270	1,600	1,745	1,440	1,920

Warranty and Service Intervals

Service Interval: 2Years, Unlimited Miles

Base Warranty: 3years, 100K Miles

Paint Surface Warranty: 3years, 100K Miles

Perforation Warranty: 10years, No Mileage Limit

KERB WEIGHT - The weight of the vehicle including a full tank of fuel and all standard and optional equipment. It does not include the weight of the driver, any passengers or cargo.

GVM - Gross Vehicle Mass - The maximum permitted mass of the vehicle including the driver, passengers, fluids and the load.

PAYLOAD - The weight that a vehicle is able to carry. It does not include the weight of the vehicle itself. The payload stated above is the gross payload not including the driver

MIRO - Mass in Running Order - The total weight of a vehicle without passengers, goods or other items. It does include the driver and all the standard equipment.

GTM - Gross Train Mass - The combined weight of the vehicle, trailer and payload.

Transit City Pricelist



Transit City Consumption, Range and Charging

	WLTP Combined Range (m)*	WLTP Combined Energy Consumption (kWh/100m)	WLTP City Range (m)*	WLTP City Energy Consumption (kWh/100m)	DC Fast Charging Time 10-80%	Max. DCFC Charging Power (kW)	AC Charging Time 10-100% - 7.4kW 1-phase	AC Charging Time 10-100% - 11kW 3-phase
Van								
SWB Low Roof	157.8	38.3	236.7	24.95	33 mins	87	8 hours	5.5 hours
LWB High Roof	139.2	43.45	211.2	28	33 mins	87	8 hours	5.5 hours
Chassis Cab								
Chassis Cab LWB	TBC				33 mins	87	8 hours	5.5 hours

Powertrain Specifications

All Electric	Onboard Charger	DC Fast Charging	Useable Battery	Motor Power	Torque
E-Motor	11kW	87kW	56kWh	110kW / 150PS	260Nm

The battery capacity figure specified is the usable capacity determined by Ford and used to deliver the stated performance and battery durability.

Based on full charge. Estimated range using Worldwide Harmonised Light Vehicle Test Procedure (WLTP). Figures shown are for comparability purposes and should only be compared with other vehicles tested to the same technical procedures. Actual range varies due to factors such as temperature, driving behaviour, route profile, vehicle maintenance, lithium-ion battery age and condition. WLTP Overall Range reflects a combined driving cycle and WLTP Extra High reflects motorway driving – both tests are conducted in controlled conditions with an ambient temperature of 23 degrees Celsius and no climate or electrical load.

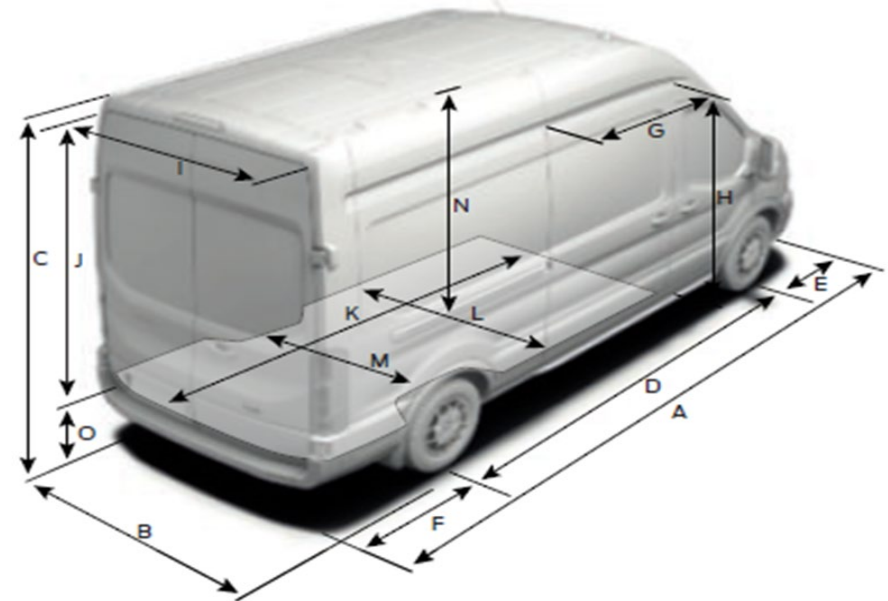
Achieved using high power charging. Actual charge times and charging speeds will vary according to the type of home or public charging station used, as well as other factors (including weather, ambient temperature, driving behaviour, driving profile, vehicle condition, lithium-ion battery age, condition, and temperature).

Transit City Pricelist



Dimensions

	SWB Low Roof	LWB High Roof
Exterior - Length (mm)		
A Overall length	4,985	5,285
D Wheelbase	3,060	3,360
E Front overhang	810	810
F Rear overhang	1,115	1,115
G Side door entry width	1,164	1,164
Interior - Length (mm)		
K Maximum loadspace length (at floor with bulkhead)	2,770	3,070
Exterior - Height (mm)		
C Overall height	1,991	2,285
H Side load door entry height	1,397	1,397
J Rear door entry height	1,330	1,620
Interior - Height (mm)		
N Load floor to roof	1,456	1,746
O Loading height (SRW)	550	552
Exterior - Width (mm)		
B Overall width with mirrors	2,258	2,258
Overall width with folded back mirrors	2,150	2,150
Overall width without mirrors	1,885	1,885
I Rear door entry width	1,593	1,593
Interior - Width (mm)		
L Maximum loadspace width	1,740	1,740
M Loadspace between wheel arches	1,300	1,300
Interior - Volumes (m³)		
SAE Load Volume	6	8
Maximum load volume (with bulkhead)	6.43	8.5
Loadspace(with bulkhead) VDA	5.75	7.48



Transit City Pricelist



Dimensions

LWB Low Roof

Exterior - Length (mm)

A	Overall length (excluding dropside)	5,200
D	Front of vehicle to front of wheel centre	810
F	Rear of vehicle to rear wheel centre (excluding dropside)	1,030
E	Wheelbase	3,360
N	Chassis frame length	2,890
Q	Rear of cab to front wheel centre	1,441
R	Rear of cab to rear wheel centre	1,955
	Overall length (including dropside)	Depends on upfit
	Dropside - Internal loadspace length	Depends on upfit

Exterior - Height (mm)

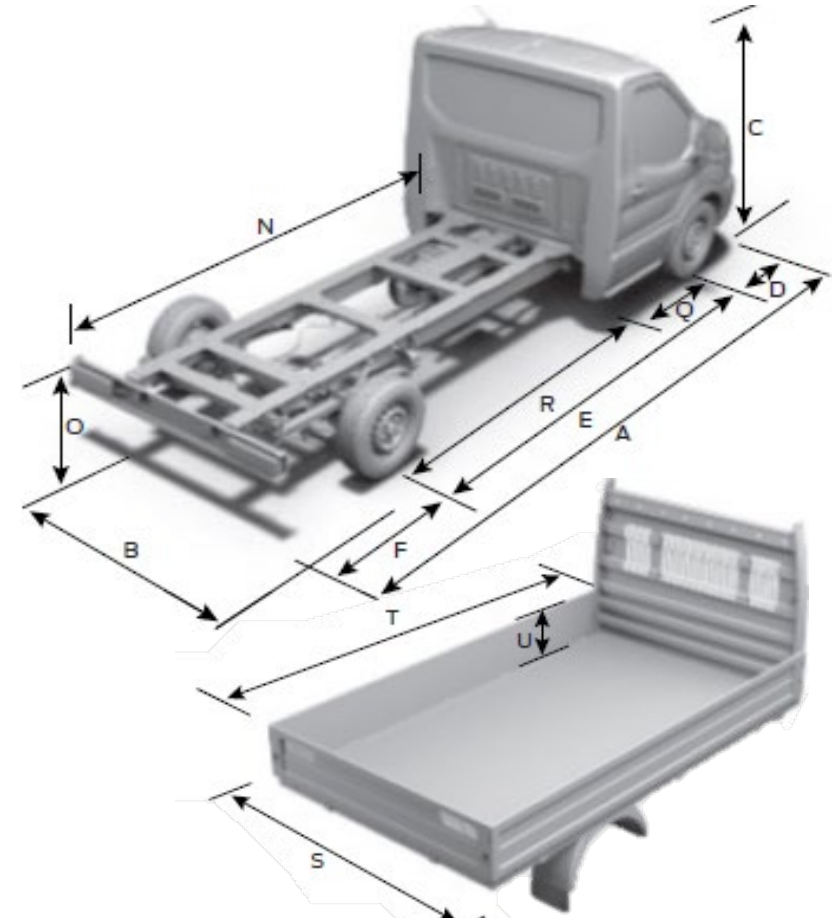
C	Overall height (maximum)	2,000
O	Floor/Chassis frame height (at KERB)	616

Exterior - Width (mm)

B	Overall width with mirrors	2,258
	Overall width with folded back mirrors	2,150
	Overall width without mirrors	1,885
S	Standard rear wheel track	1,634
	Overall width (including dropside) without mirrors	Depends on upfit
	Dropside - Internal loadspace width	Depends on upfit

Exterior - Other (m)

	Turning Circle, kerb to kerb (SWB)	13
--	------------------------------------	----



OTHER PRICING CONSIDERATIONS

CUSTOMER ORDERING PRICE PROTECTION

Ford's Price Protection Plan means that the price you pay is the same as the price on your order as long as you are prepared to accept delivery within three months, and in any event, as soon as your vehicle is available. Your Dealer has full details of the plan. Ford Motor Company Ltd is not liable for changes in price caused by Government changes in tax rates or changes in other applicable legislation.

VAT

VAT is shown calculated at 20%. The total price of a vehicle, including factory fitted options and accessories fitted by the Ford Dealer, will be subject to VAT on retail sale.

PRICE CHANGES

This price list outlines Ford's recommended on the road prices and recommended retail prices. Please contact your Ford dealer for final sale prices. This price list is effective from [29th April 2026](#), and supersedes all previous price lists. The recommended prices in the publication were true and accurate at the time of printing. You should, however, check details with your Dealer as there may have been changes to Ford's recommended prices in view of Ford's policy of continuous development. Ford reserves the right to change its recommended prices at any time. Change to government legislation or tax changes could result in a change to Ford's published recommended prices.

ILLUSTRATIONS DESCRIPTIONS AND SPECIFICATIONS

The product information in this publication was correct at the time of going to print. However, Ford's policy is one of continuous product development. The right is reserved to change specifications and colours of the models and items illustrated and described in this publication at any time. For the latest details always consult your Ford Dealer.

Throughout this publication, wherever a feature is described as being an 'Option' or 'Option Fitment/Pack' etc, you should assume that it will be at extra cost to the base vehicle, unless specifically stated to the contrary. All models and colour combinations are subject to availability.

Some images portrayed are of a pre-production model and/or are computer generated, therefore the design / features on the final version of the vehicle may differ in various respects. In addition, some of the features shown on the vehicles may be optional e.g. metallic paint.

Please also note some driver assistance features and safety features described in this publication are designed to function using sensors, whose performance may be affected under certain weather or environmental conditions.